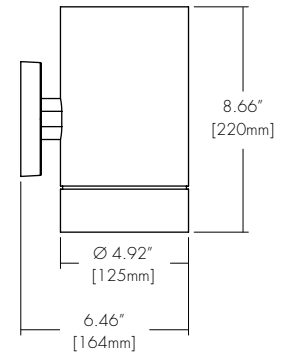


# LETO 11

## WALL MOUNT UP/DOWN LED CYLINDER



### Features

- Faceted and Smooth metal reflectors provide beam spreads between 10° to 80°.
- Nine drivers selections available to cover wide range of applications.
- Two output options available up to 1000 lumens.
- Five year warranty.

### Finish Options

- White
- Black
- Silver
- Mocha
- Charcoal
- Cerulean
- Firebrick



### Technical Information

	OUTPUT OPTIONS	700 lm	1000 lm
<b>DOWN</b>	<b>Fixture wattage</b>	6.1 W	9.1 W
	<b>Delivered Lumen at 3500K</b>	656 lm	1035 lm
	<b>Efficacy</b>	108 lm/W	114 lm/W
	<b>Center Beam Candlepower (10° Faceted Reflector)</b>	5474 cd	8636 cd
<b>UP</b>	<b>Fixture wattage</b>	6.1 W	9.1 W
	<b>Delivered Lumen at 3500K</b>	614 lm	857 lm
	<b>Efficacy</b>	101 lm/W	94 lm/W

CCT	Multiplier	CRI	TM-30		
			R <sub>f</sub>	R <sub>g</sub>	R <sub>9</sub>
2500K	0.81	92	90	104	77
2700K	0.92	92	91	102	61
3000K	0.97	95	92	102	61
3500K	1.00	95	93	101	72
4000K	1.07	95	92	103	68
6500K	1.05	96	91	100	89

Integral Driver Example: Fixture LET11-WM-0707-25KF10F17-CL-WH-WH-PHSD-NA  
 Remote Driver Example: Fixture LET11-WM-0707-25KF10F17-CL-WH-WH-010L-NA  
 HRM- LET11-WM-0707-25K-010L-NA

### Ordering Code

MODEL	TYPE	OUTPUT	CCT	OPTIC	OPTIC UP	ACCESSORY	BODY FINISH	BAFFLE FINISH
LET11-Leto 11	WM-Wall Mount	0707-700 lumens Down, 700 lumens up 1010-1000 lumens Down, 1000 lumens up	25K-2500K 27K-2700K 30K-3000K 35K-3500K 40K-4000K 65K-6500K	F10-10 Degree, Faceted F18-18 Degree, Faceted F30-30 Degree, Faceted F45-45 Degree, Faceted F60-60 Degree, Faceted S30-30 Degree, Smooth S45-45 Degree, Smooth S80-80 Degree, Smooth	F17-17 Degree, Faceted F24-24 Degree, Faceted F60-60 Degree, Faceted	NA-No Accessory CL-Clear Lens DL-Diffusing Lens HC-Honeycomb Louver SL-Solite Lens	Standard WH-White BK-Black SL-Silver  Premium <sup>1</sup> MA-Mocha CC-Charcoal CR-Cerulean FB-Firebrick	Standard WH-White BK-Black SL-Silver  Premium <sup>1</sup> MA-Mocha CC-Charcoal CR-Cerulean FB-Firebrick
DRIVER <sup>2</sup>				DRIVER OPTIONS <sup>4</sup>				

- PHSD-Forward/Reverse Phase, 1% Dimming, 120V Only
- 010S-0-10V, 1% Dimming, 120/277V
- 0103-0-10V, 1% Dimming, 347V Only
- 010L-EldoLED, 0-10V, Linear, 0.1% Dimming, 120/277V
- 010G-EldoLED, 0-10V, Log, 0.1% Dimming, 120/277V
- DAI1-EldoLED, DALI Protocol 2, DT-6, 0.1% Dimming, 120/277V (Standard as LOG)<sup>5</sup>
- DAI18-EldoLED, DALI Protocol 2, DT-8, 0.1% Dimming, 120/277V (Standard as LOG)<sup>5</sup>
- LUTE-Lutron Hilume Ecodigital, 1% Dimming, 120V/277V
- DMX-EldoLED, DMX, 0.1% Dimming, 120V/277V

- NA-None
- EMG-Emergency Driver<sup>3</sup>

1 - Premium finishes may have extended lead times. Custom RALs are available, please consult Inside Sales with specific request  
 2 - All drivers remote except PHSD/010S driver options  
 3 - Emergency option comes prewired from factory with driver in remote housing. 8W of continuous power provided for a minimum of 90 minutes. Must be installed within 30 feet of luminaire using 18 AWG wire. Not available with 0103, DMX, DAI18 or LUTE Driver.  
 4 - AAWN/CSMB available upon request, contact Senso for details.  
 5 - DALI and DAI18 driver options use logarithmic dimming curve as standard. For LINEAR dimming curve, add "LIN" after the dimming code, i.e. DAI1LIN

CONTACT FACTORY FOR MORE OPTIONS.

### Lens & Accessory Options

#### OPTC-ACC-CL-94MM

##### Clear Lens

Also available with complete fixture, use ordering code.

**-CL**



Light Loss Factor: 100%\*

#### OPTC-ACC-DL-94MM

##### Diffusing Lens

Also available with complete fixture, use ordering code.

**-DL**



Light Loss Factor: 87%\*

#### OPTC-ACC-HC-94MM

##### Honeycomb Lens

Also available with complete fixture, use ordering code.

**-HC**



Light Loss Factor: 45%\*

#### OPTC-ACC-SL-94MM

##### Solite Lens

Also available with complete fixture, use ordering code.

**-SL**



Light Loss Factor: 92%\*

\*Light Loss Factor calculated with 60° faceted reflector.

### Optics

#### RFLC-FXX-94MM

##### Faceted Reflector

Also available with complete fixture, use ordering code.

**-F10/-F18/-F30/-F45/-F60**



FXX	Optic
F10	10° Faceted
F18	18° Faceted
F30	30° Faceted
F45	45° Faceted
F60	60° Faceted
S30	30° Smooth
S45	45° Smooth
S80	80° Smooth

## Remote Driver Housing

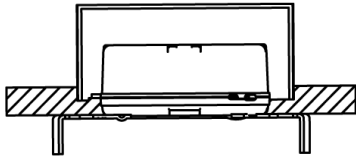
Depending on the options selected in the order code on page 1, a Remote Driver Housing may be required. This will automatically be generated and put on your order as necessary.

REMOTE DRIVER	MODEL	OUTPUT	CCT	DRIVER	DRIVER OPTIONS
HRM-Housing, Remote	LET11-WM-letto 11 Wall Mount	Same as Fixture	Same as Fixture	Same as Fixture	Same as Fixture

Maximum mounting distance to luminaire using 18 AWG wire						
010S	PHSD	010L	010G	DALI DALI8	DMX	LUTE
16'	16'	72'	72'	72'	149'	15'

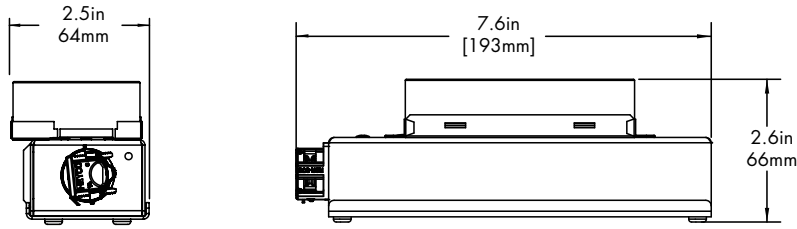
### 4" J-box

Minimum volume required to mount drivers in junction box: 70mm x 40mm x 30mm.



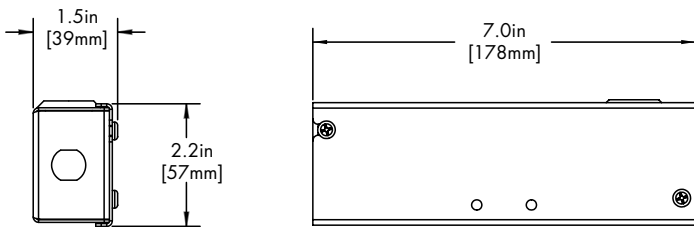
Driver
PHSD
010S

### HRM Single with Externally Mounted Driver



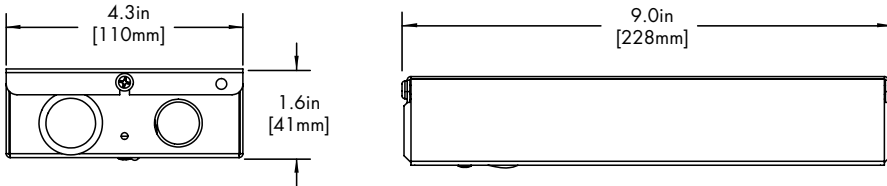
Driver
010L or 010G
010S
010L or 010G or 010S
DALI or LUTE

### HRM Single



Driver
PHSD

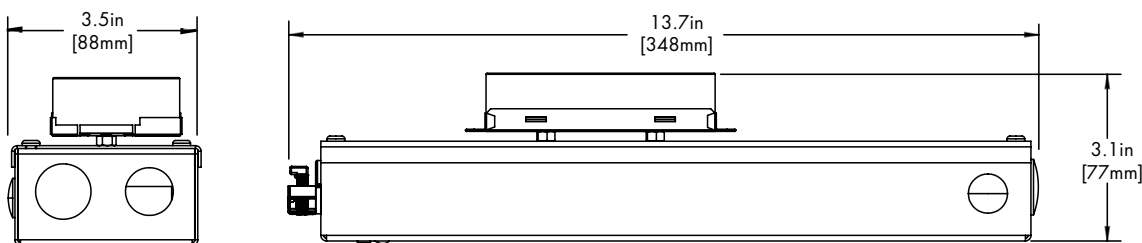
### HRM Double



Driver
DALI8
DMX

### EMG Emergency Driver

120 minute EMG operation time.



Driver
EMG

## Standard Finishes

**BK**  
Black



**WH**  
White



**SL**  
Silver



## Premium Finishes

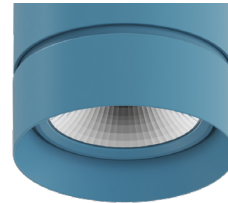
**MA**  
Mocha



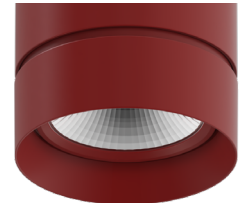
**CC**  
Charcoal



**CR**  
Cerulean

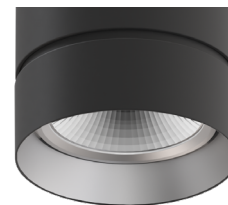
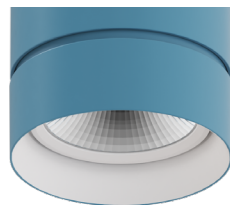
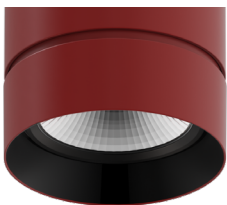


**FB**  
Firebrick



## Two Tone Baffle

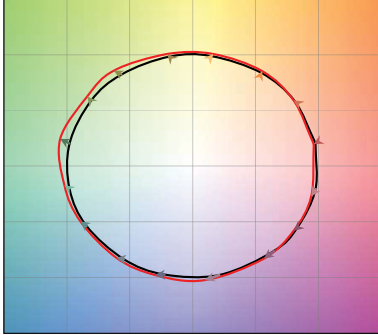
Inside finish refers to Baffle Finish selection from page 1. Any combination may be used for baffle and body finishes.



## TM-30

**2500K**

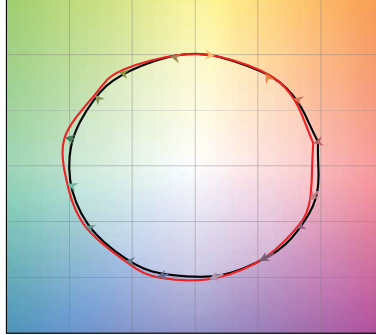
COLOR VECTOR GRAPHIC



— Reference Source — Test Source

**2700K**

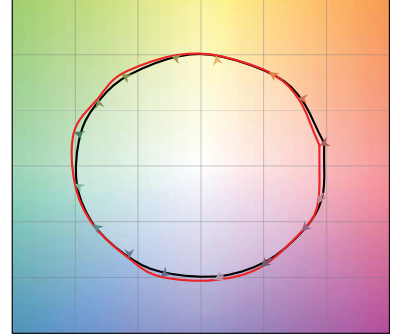
COLOR VECTOR GRAPHIC



— Reference Source — Test Source

**3000K**

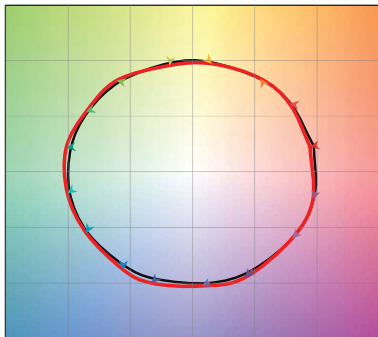
COLOR VECTOR GRAPHIC



— Reference Source — Test Source

**3500K**

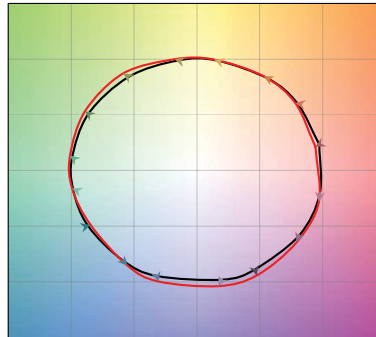
COLOR VECTOR GRAPHIC



— Reference Source — Test Source

**4000K**

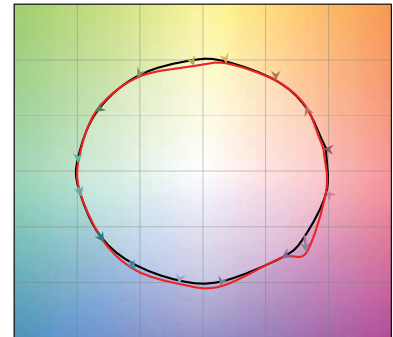
COLOR VECTOR GRAPHIC



— Reference Source — Test Source

**6500K**

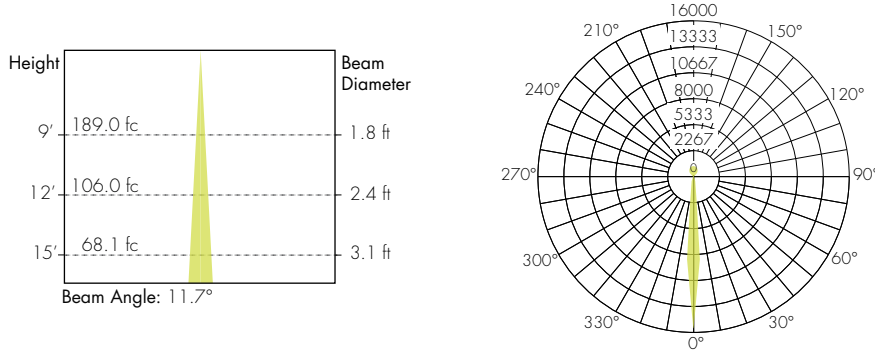
COLOR VECTOR GRAPHIC



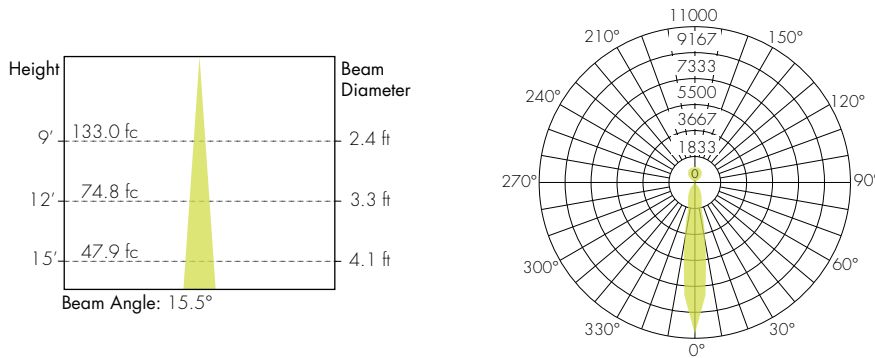
— Reference Source — Test Source

## Photometry

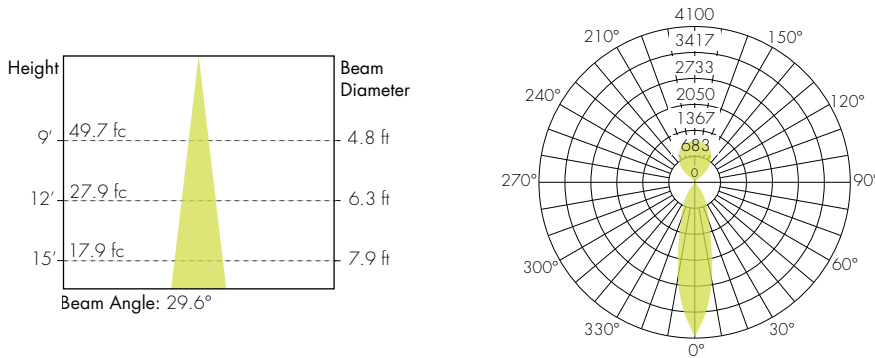
### 10° Faceted Reflector Down/ 60° Faceted Reflector Up



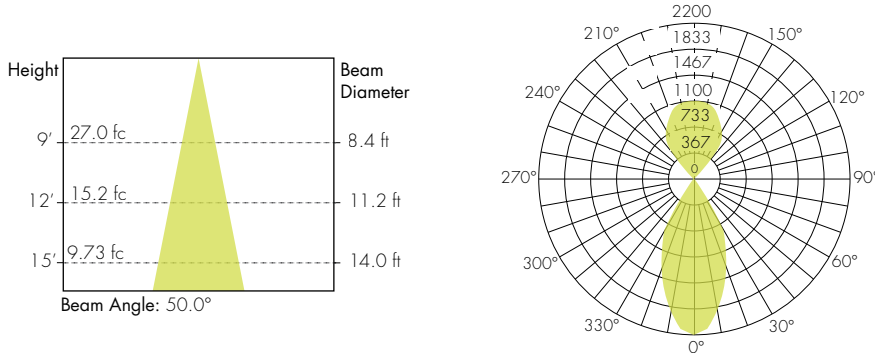
### 18° Faceted Reflector Down/ 60° Faceted Reflector Up



### 30° Faceted Reflector Down/ 60° Faceted Reflector Up

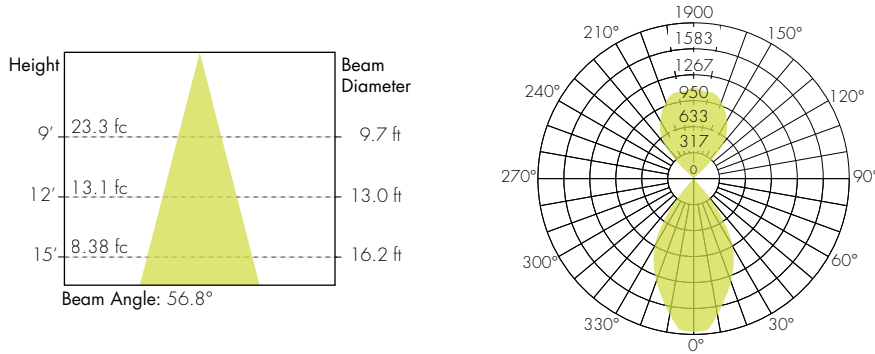


### 45° Faceted Reflector Down/ 60° Faceted Reflector Up

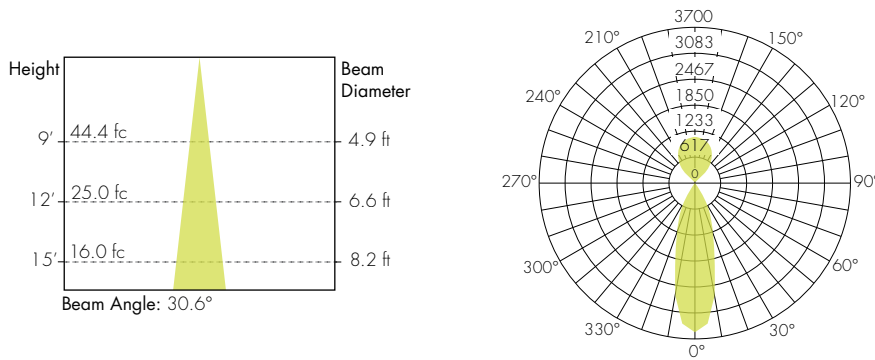


## Photometry

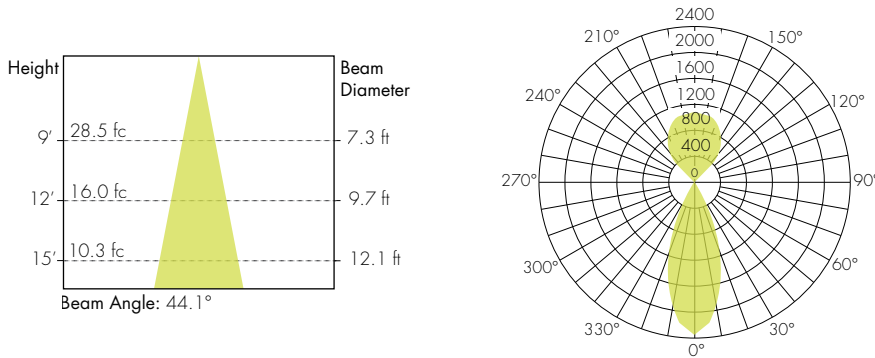
### 60° Faceted Reflector Down/ 60° Faceted Reflector Up



### 30° Smooth Reflector Down/ 60° Faceted Reflector Up



### 45° Smooth Reflector Down/ 60° Faceted Reflector Up



### 80° Smooth Reflector Down/ 60° Faceted Reflector Up

