

# MINIMO PRO INTENSE

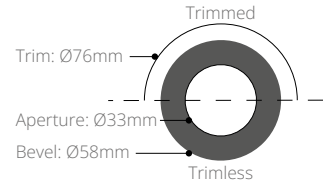


## OVERVIEW

Minimo Pro Intense is a Constant Current single source LED downlight that is machined from aerospace grade aluminium 6063-T6 and comes as standard in white and black along with a range of premium finishes. It has five site-changeable optics for flexible beam distribution and is fully adjustable with 360° pan and 35° tilt without breaking the ceiling line. Our 661lm | 8.40W light engine has a max peak intensity of 12512cd. The integral accessory holder can accommodate 32mm lenses and louvers.

## KEY FEATURES

- Beam Options: 11 | 14 | 18 | 30 | 50
- Performance: 661lm | 8.40W
- Movement: 360 Pan | 35 Tilt
- Tool-less field changeable optics
- Ultra narrow high intensity beams
- Trimmed / Trimless options
- UK Part L1 / L2 (Display) Compliant

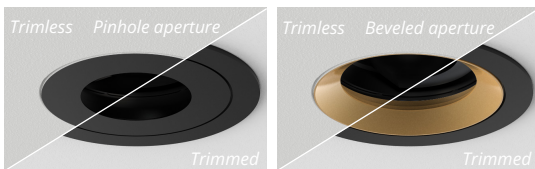


## PERFORMANCE

	Intense				
	U. Narrow	Narrow	Medium	Flood	W. Flood
FWHM	11°	14°	18°	30°	50°
Luminous Flux	661 lm	650 lm	643 lm	555 lm	546 lm
Peak Intensity	12512 cd	8971 cd	5754 cd	1813 cd	660 cd
CCT	2700K   3000K   3500K   4000K				
CRI Min.	92   92   92   90				
LED Current	0.700 A				
Voltage	12 V				
Input Wattage	8.4 W				
Efficacy	78.7 lm/W				
Driver Type	Constant Current   Remote				
Class	SELV   Class III				

## ORDER CODE

Model	Type	Rating	Trim	Aperture	Output	CCT	Beam Angle	Trim Finish	Aperture Finish
<b>MNP</b> Minimo Pro	<b>D</b> Fixed	<b>20</b> IP20	<b>TR</b> Trimmed	<b>FP</b> Pinhole <sup>3</sup>	<b>IO</b> Intense	<b>27K</b> 2700K	<b>UN</b> Ultra Narrow 11°	<b>NA</b> Trimless	<b>WH</b> White
	<b>A</b> Adjustable	<b>54</b> IP54	<b>TL</b> Trimless <sup>1</sup>	<b>BV</b> Beveled <sup>2</sup>		<b>30K</b> 3000K	<b>NR</b> Narrow 14°	<b>WH</b> White	<b>BK</b> Black
						<b>35K</b> 3500K	<b>ME</b> Medium 18°	<b>BK</b> Black	<b>MG</b> Matt Gold
						<b>40K</b> 4000K	<b>FL</b> Flood 30°	<b>AL</b> Br. Aluminium	
							<b>WF</b> Wide Flood 50°	<b>RBZ</b> R. Bronze	
								<b>BR</b> Br. Brass	
								<b>PB</b> P. Brass	
								<b>CH</b> Chrome	



**Example code:** MNP-D-20-TL-BV-IO-27K-UN-NA-WH

<sup>1</sup> Trimless trim finish must be NA <sup>2</sup> MG Aperture finish only for beveled <sup>3</sup> Pinhole trim finishes only WH/BK/NA

See Drivers, Power Supplies and Accessories sections for further order codes

## LIGHT ENGINE SELECTION

This product specification sheet references our Intense light engine, this product is also available with Plus and HE static white light engines, please refer to their separate sheets.

### ▸ intense ◀

Precision's signature intense light engines offer tight, surgical beams combined with the highest peak intensity values available.

- Ultra-tight beams
- High Peak Cd

### plus+

Precision's plus light engines offer the best balance between delivered lumens, beam quality and outstanding colour rendition.

- Increased Lumen Output
- CRI 98 Typical

### HE

Precision's high efficiency light engines deliver the highest possible lumen values as well as our outstanding energy efficiency

- Maximum Lumen Output
- Maximum Energy Efficiency

## LIFETIME & ENVIRONMENTAL

At Precision, we design and engineer our products with longevity in mind. Many of the components that make up our light fixtures are both modular and re-usable, making it possible to service and repair them throughout their life in service. Once our products reach the end of their useful life, it is possible to re-work and renew them in to a new product. We prioritise the use of recyclable materials in both our products and packaging, and encourage our customers to engage responsibly in the correct disposal of any materials we supply.

CIBSE TM65 13.09 Kg/CO2e

CIBSE TM66 2.2

RoHS Compliance Yes

REACH Compliance Yes

WEEE Compliance Yes - Registered Producer

Declare LBC Red List Approved

Lifetime L90B10 100,000hrs

Warranty 5 Years

### UK PART L

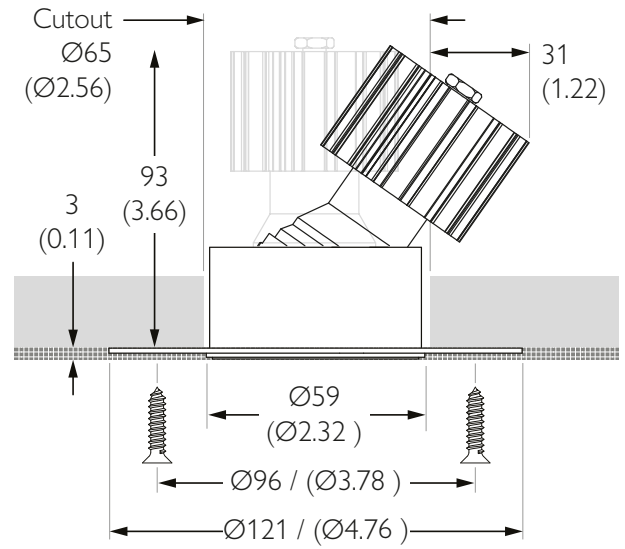
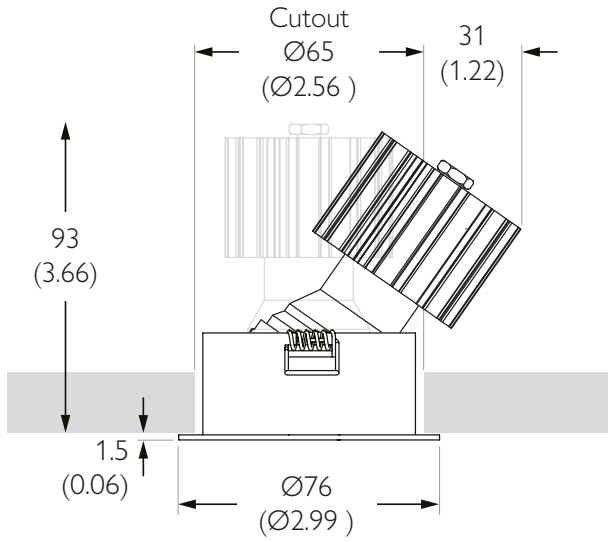
**Part L1A / L1B (Dwellings)** *Compliant 105 lm/W*  
 ≥75 Lm/W source lumens *Source lm (882 lm) / Source W (8.40 W)*

**Part L2A (General)** *-*  
 ≥95Lm/W delivered lumens

**Part L2A (Display)** *Compliant 105 lm/W*  
 ≥80 Lm/W source lumens *Source lm (882 lm) / Source W (8.40 W)*

# MINIMO PRO INTENSE

## DIMENSIONS



## MECHANICAL

Location	IP20 / IP54   Indoor Dry / Damp Location Only
Mounting	Recessed
Adjustability	360 Pan   35 Tilt
Lockable	N/A
Accessories	Louver   Lenses

Cutout	$\text{Ø}65\text{mm}$ (2.56")
Ceiling Thickness	3-25mm (0.12-0.98")
Product Class	SELV   Class III
Material	Machined AL 6063-T6
Weight	249g   0.55lb

# MINIMO PRO INTENSE

DIMENSIONS & FINISHES

INTENSE LIGHT ENGINE

## TRIM & APERTURE TYPES



TRIMMED  
PINHOLE



TRIMLESS  
PINHOLE

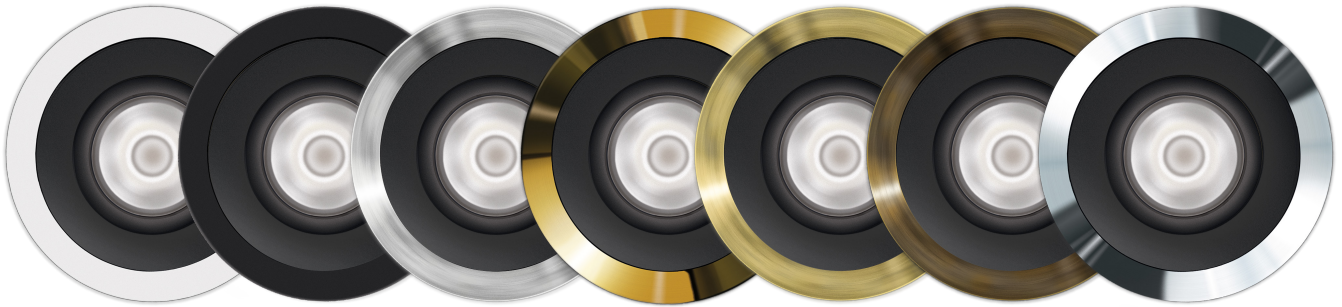


TRIMMED  
BEVELED



TRIMLESS  
BEVELED

## TRIM FINISHES



WHITE

BLACK

BRUSHED  
ALUMINUM

POLISHED  
BRASS

BRUSHED  
BRASS

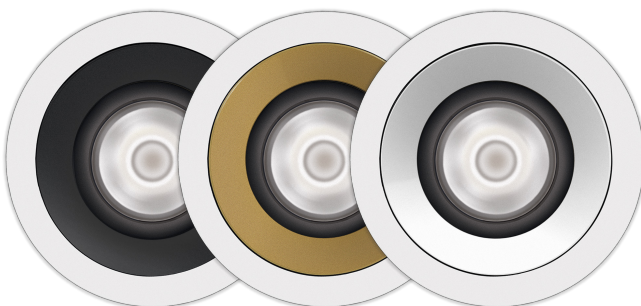
RUBBED  
BRONZE

POLISHED  
CHROME

## APERTURE FINISHES

BEVELED

PINHOLE



BLACK

MATTE GOLD

WHITE



WHITE



BLACK

# MINIMO PRO INTENSE

## 20W | 0-10V | Remote | Constant Current

Input Voltage	230VAC   50/60 Hz
Driver Type	Remote   Constant Current
Location	IP20   Indoor Location Only
Dimming Control	0-10V
Min. Dim Level	0.1%
Flicker	IEEE P1789 Compatible   No Observable Effect
Wiring Distance	16 AWG - 36m (118')   18 AWG 22m (72')



	All CCT's		L	W	H
Max. Lights	1 to 2 in series	mm	160	41	30
Order Code	PSCC-20-700-A-EL	in	6.3	1.61	1.18

## 20W | DALI-2 | Remote | Constant Current

Input Voltage	230VAC   50/60 Hz
Driver Type	Remote   Constant Current
Location	IP20   Indoor Location Only
Dimming Control	DALI-2
Min. Dim Level	0.1%
Flicker	IEEE P1789 Compatible   No Observable Effect
Wiring Distance	16 AWG - 36m (118')   18 AWG 22m (72')



	All CCT's		L	W	H
Max. Lights	1 to 2 in series	mm	160	41	30
Order Code	PSCC-20-700-D-EL	in	6.3	1.61	1.18

This product specification sheet is for 230V / CE / UKCA regions. For North American projects please refer to our Minimo - North American specification sheets.

# MINIMO PRO INTENSE

## OUTPUT SCALING

CCT	Output Multiplier	CRI	R9 Typ.	TM-30: Rf	TM-30: Rg	Max Lm
2400K	-	-	-	-	-	-
2700K	0.90	92	50	90	99	595
3000K	1.00	92	50	90	99	661
3500K	1.00	92	50	90	99	661
4000K	1.00	90	50	90	98	661






Colour Consistency: 2 SDCM at 2700K / 3000K, 3DCM at 3500 / 4000K

## PHOTOMETRY

Beam Type		FWHM	Delivered Flux	Peak Intensity	Beam Diagram	Intensity Data																																										
ULTRA NARROW		11°	661 lm	12512 cd		<table border="1"> <tr><td>Cd: 0</td><td>90°</td><td>0.19m</td><td>12512lx</td><td>1390fc</td><td>0.6'</td></tr> <tr><td>2092</td><td>80°</td><td>1m</td><td></td><td>348fc</td><td>1.2'</td></tr> <tr><td>4183</td><td>70°</td><td>0.39m</td><td>3128lx</td><td>154fc</td><td>1.7'</td></tr> <tr><td>6275</td><td>60°</td><td>0.58m</td><td>1390lx</td><td>87fc</td><td>2.3'</td></tr> <tr><td>8367</td><td>50°</td><td>0.77m</td><td>782lx</td><td>56fc</td><td>2.9'</td></tr> <tr><td>10458</td><td></td><td>0.96m</td><td>500lx</td><td>39fc</td><td>3.5'</td></tr> <tr><td>12550</td><td>40°</td><td>5m</td><td></td><td></td><td>18'</td></tr> </table>	Cd: 0	90°	0.19m	12512lx	1390fc	0.6'	2092	80°	1m		348fc	1.2'	4183	70°	0.39m	3128lx	154fc	1.7'	6275	60°	0.58m	1390lx	87fc	2.3'	8367	50°	0.77m	782lx	56fc	2.9'	10458		0.96m	500lx	39fc	3.5'	12550	40°	5m			18'
Cd: 0	90°	0.19m	12512lx	1390fc	0.6'																																											
2092	80°	1m		348fc	1.2'																																											
4183	70°	0.39m	3128lx	154fc	1.7'																																											
6275	60°	0.58m	1390lx	87fc	2.3'																																											
8367	50°	0.77m	782lx	56fc	2.9'																																											
10458		0.96m	500lx	39fc	3.5'																																											
12550	40°	5m			18'																																											
NARROW		14°	650 lm	8971 cd		<table border="1"> <tr><td>Cd: 0</td><td>90°</td><td>0.25m</td><td>8971lx</td><td>997fc</td><td>0.7'</td></tr> <tr><td>1500</td><td>80°</td><td>1m</td><td></td><td>249fc</td><td>1.5'</td></tr> <tr><td>3000</td><td>70°</td><td>0.49m</td><td>2243lx</td><td>111fc</td><td>2.2'</td></tr> <tr><td>4500</td><td>60°</td><td>0.74m</td><td>997lx</td><td>62fc</td><td>2.9'</td></tr> <tr><td>6000</td><td>50°</td><td>0.98m</td><td>561lx</td><td>40fc</td><td>3.7'</td></tr> <tr><td>7500</td><td></td><td>1.23m</td><td>359lx</td><td>28fc</td><td>4.4'</td></tr> <tr><td>9000</td><td>40°</td><td>5m</td><td></td><td></td><td>18'</td></tr> </table>	Cd: 0	90°	0.25m	8971lx	997fc	0.7'	1500	80°	1m		249fc	1.5'	3000	70°	0.49m	2243lx	111fc	2.2'	4500	60°	0.74m	997lx	62fc	2.9'	6000	50°	0.98m	561lx	40fc	3.7'	7500		1.23m	359lx	28fc	4.4'	9000	40°	5m			18'
Cd: 0	90°	0.25m	8971lx	997fc	0.7'																																											
1500	80°	1m		249fc	1.5'																																											
3000	70°	0.49m	2243lx	111fc	2.2'																																											
4500	60°	0.74m	997lx	62fc	2.9'																																											
6000	50°	0.98m	561lx	40fc	3.7'																																											
7500		1.23m	359lx	28fc	4.4'																																											
9000	40°	5m			18'																																											
MEDIUM		18°	643 lm	5754 cd		<table border="1"> <tr><td>Cd: 0</td><td>90°</td><td>0.32m</td><td>5754lx</td><td>639fc</td><td>1.0'</td></tr> <tr><td>967</td><td>80°</td><td>1m</td><td></td><td>160fc</td><td>1.9'</td></tr> <tr><td>1933</td><td>70°</td><td>0.63m</td><td>1439lx</td><td>71fc</td><td>2.9'</td></tr> <tr><td>2900</td><td>60°</td><td>0.95m</td><td>639lx</td><td>40fc</td><td>3.8'</td></tr> <tr><td>3867</td><td>50°</td><td>1.27m</td><td>360lx</td><td>26fc</td><td>4.8'</td></tr> <tr><td>4833</td><td></td><td>1.58m</td><td>230lx</td><td>18fc</td><td>5.7'</td></tr> <tr><td>5800</td><td>40°</td><td>5m</td><td></td><td></td><td>18'</td></tr> </table>	Cd: 0	90°	0.32m	5754lx	639fc	1.0'	967	80°	1m		160fc	1.9'	1933	70°	0.63m	1439lx	71fc	2.9'	2900	60°	0.95m	639lx	40fc	3.8'	3867	50°	1.27m	360lx	26fc	4.8'	4833		1.58m	230lx	18fc	5.7'	5800	40°	5m			18'
Cd: 0	90°	0.32m	5754lx	639fc	1.0'																																											
967	80°	1m		160fc	1.9'																																											
1933	70°	0.63m	1439lx	71fc	2.9'																																											
2900	60°	0.95m	639lx	40fc	3.8'																																											
3867	50°	1.27m	360lx	26fc	4.8'																																											
4833		1.58m	230lx	18fc	5.7'																																											
5800	40°	5m			18'																																											
FLOOD		30°	555 lm	1813 cd		<table border="1"> <tr><td>Cd: 0</td><td>90°</td><td>0.54m</td><td>1813lx</td><td>201fc</td><td>1.6'</td></tr> <tr><td>308</td><td>80°</td><td>1m</td><td></td><td>50fc</td><td>3.2'</td></tr> <tr><td>617</td><td>70°</td><td>1.07m</td><td>453lx</td><td>22fc</td><td>4.8'</td></tr> <tr><td>925</td><td>60°</td><td>1.61m</td><td>201lx</td><td>13fc</td><td>6.4'</td></tr> <tr><td>1233</td><td>50°</td><td>2.14m</td><td>113lx</td><td>8fc</td><td>8.0'</td></tr> <tr><td>1542</td><td></td><td>2.68m</td><td>73lx</td><td>6fc</td><td>9.6'</td></tr> <tr><td>1850</td><td>40°</td><td>5m</td><td></td><td></td><td>18'</td></tr> </table>	Cd: 0	90°	0.54m	1813lx	201fc	1.6'	308	80°	1m		50fc	3.2'	617	70°	1.07m	453lx	22fc	4.8'	925	60°	1.61m	201lx	13fc	6.4'	1233	50°	2.14m	113lx	8fc	8.0'	1542		2.68m	73lx	6fc	9.6'	1850	40°	5m			18'
Cd: 0	90°	0.54m	1813lx	201fc	1.6'																																											
308	80°	1m		50fc	3.2'																																											
617	70°	1.07m	453lx	22fc	4.8'																																											
925	60°	1.61m	201lx	13fc	6.4'																																											
1233	50°	2.14m	113lx	8fc	8.0'																																											
1542		2.68m	73lx	6fc	9.6'																																											
1850	40°	5m			18'																																											
WIDE FLOOD		50°	546 lm	660 cd		<table border="1"> <tr><td>Cd: 0</td><td>90°</td><td>0.93m</td><td>660lx</td><td>73fc</td><td>2.8'</td></tr> <tr><td>117</td><td>80°</td><td>1m</td><td></td><td>18fc</td><td>5.6'</td></tr> <tr><td>233</td><td>70°</td><td>1.87m</td><td>165lx</td><td>8fc</td><td>8.4'</td></tr> <tr><td>350</td><td>60°</td><td>2.80m</td><td>73lx</td><td>5fc</td><td>11.2'</td></tr> <tr><td>467</td><td>50°</td><td>3.73m</td><td>41lx</td><td>3fc</td><td>14.0'</td></tr> <tr><td>583</td><td></td><td>4.66m</td><td>26lx</td><td>2fc</td><td>16.8'</td></tr> <tr><td>700</td><td>40°</td><td>5m</td><td></td><td></td><td>18'</td></tr> </table>	Cd: 0	90°	0.93m	660lx	73fc	2.8'	117	80°	1m		18fc	5.6'	233	70°	1.87m	165lx	8fc	8.4'	350	60°	2.80m	73lx	5fc	11.2'	467	50°	3.73m	41lx	3fc	14.0'	583		4.66m	26lx	2fc	16.8'	700	40°	5m			18'
Cd: 0	90°	0.93m	660lx	73fc	2.8'																																											
117	80°	1m		18fc	5.6'																																											
233	70°	1.87m	165lx	8fc	8.4'																																											
350	60°	2.80m	73lx	5fc	11.2'																																											
467	50°	3.73m	41lx	3fc	14.0'																																											
583		4.66m	26lx	2fc	16.8'																																											
700	40°	5m			18'																																											


## OPTICS

There are 5 tool-less interchangeable optics, cross reference the text on the optic disc for beam.

Optic Disc	Optic Disc	Optic Disc	Optic Disc	Optic Disc
				
<b>Ultra Narrow Disc</b> FWHM 11 deg	<b>Narrow Disc</b> FWHM 14 deg	<b>Medium Disc</b> FWHM 18 deg	<b>Flood Disc</b> FWHM 30 deg	<b>Wide Flood Disc</b> FWHM 50 deg
<b>Order Code</b> 921-01	<b>Order Code</b> 921-02	<b>Order Code</b> 921-03	<b>Order Code</b> 921-04	<b>Order Code</b> 921-05

## ACCESSORIES

This product can hold 1 x accessory within the integrated holder. To accommodate additional accessories please contact our sales team. Accessories are pre-installed unless otherwise requested.

Glare Control	Colour Change
	
<b>Honeycomb Louver</b> W32xH3.2mm   W1.26xH0.13"	<b>1/4 CTO</b> W32xH1.8mm   W1.26xH0.07"
<b>Order Code</b> 995-32-BK	<b>Order Code</b> 997-1/4CTO-32

# MINIMO PRO INTENSE

