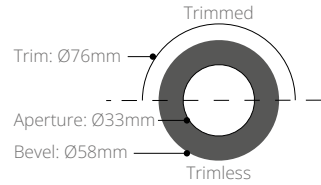


MINIMO PRO WARM DIM



KEY FEATURES

- Beam Options: 25 | 30 | 40 | 50
- Performance: 878lm | 12.60W
- Movement: 360 Pan | 35 Tilt
- Tool-less field changeable optics
- 1 Channel warm dim
- Trimmed / Trimless options
- UK Part L1 / L2 (Display) Compliant



OVERVIEW

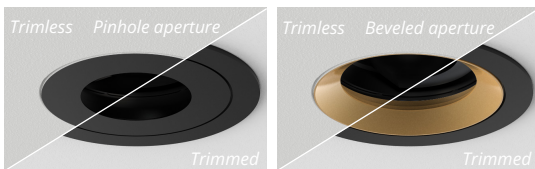
Minimo Pro Warm Dim is a Constant Current single source pro-series downlight with dim-to-warm ranges of 3000K to 1800K and 2700K to 1800K and comes as standard in white and black along with a range of premium finishes. It has four site-changeable optics for flexible beam distribution and is fully adjustable with 360° pan and 35° tilt without breaking the ceiling line. Our 878lm | 12.60W light engine has a max peak intensity of 3306cd. The integral accessory holder can accommodate 32mm lenses and louvers.

PERFORMANCE

	Warm Dim			
	Medium	Wide	V. Wide	U. Wide
FWHM	25°	30°	40°	50°
Luminous Flux	878 lm	865 lm	867 lm	755 lm
Peak Intensity	3306 cd	2657 cd	1804 cd	1005 cd
CCT	1800-2700K 1800-3000K			
CRI Min.	94 94			
LED Current	0.350 A			
Voltage	36 V			
Input Wattage	12.6 W			
Efficacy	69.7 lm/W			
Driver Type	Constant Current Remote			
Class	SELV Class III			

ORDER CODE

Model	Type	Rating	Trim	Aperture	Output	CCT	Beam Angle	Trim Finish	Aperture Finish
MNP <i>Minimo Pro</i>	D <i>Fixed</i>	20 <i>IP20</i>	TR <i>Trimmed</i>	FP <i>Pinhole</i> ³	WDSO <i>Warm Dim</i>	18K27K <i>1800K-2700K</i>	ME <i>Medium 25°</i>	NA <i>Trimless</i>	WH <i>White</i>
	A <i>Adjustable</i>	54 <i>IP54</i>	TL <i>Trimless</i> ¹	BV <i>Beveled</i> ²		18K30K <i>1800K-3000K</i>	WD <i>Wide 30°</i>	WH <i>White</i>	BK <i>Black</i>
							VW <i>Very Wide 40°</i>	BK <i>Black</i>	MG <i>Matt Gold</i>
							UW <i>Ultra Wide 50°</i>	AL <i>Br. Aluminium</i>	
								RBZ <i>R. Bronze</i>	
								BR <i>Br. Brass</i>	
								PB <i>P. Brass</i>	
								CH <i>Chrome</i>	



Example code: MNP-D-20-TR-FP-WDSO-18K27K-ME-WH-WH

¹ Trimless trim finish must be NA ² MG Aperture finish only for beveled ³ Pinhole trim finishes only WH/BK/NA

See Drivers, Power Supplies and Accessories sections for further order codes

LIGHT ENGINE SELECTION

This product specification sheet references our Warm Dim light engine, for Tunable White please refer to its separate specification sheet.

warm DIM

Utilises fixture-integrated electronics that warms the colour temperature of the light as it dims; combining the beauty of Halgoen with the efficacy of LEDs.

- Halogen like CCT dimming curve
- Dims to 1800K

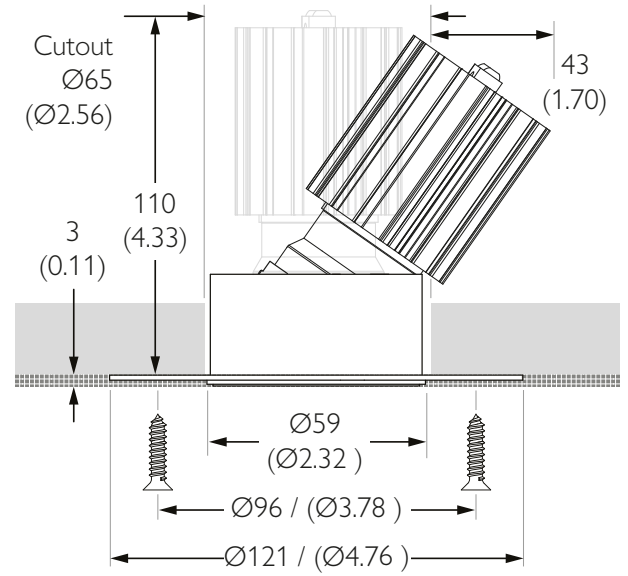
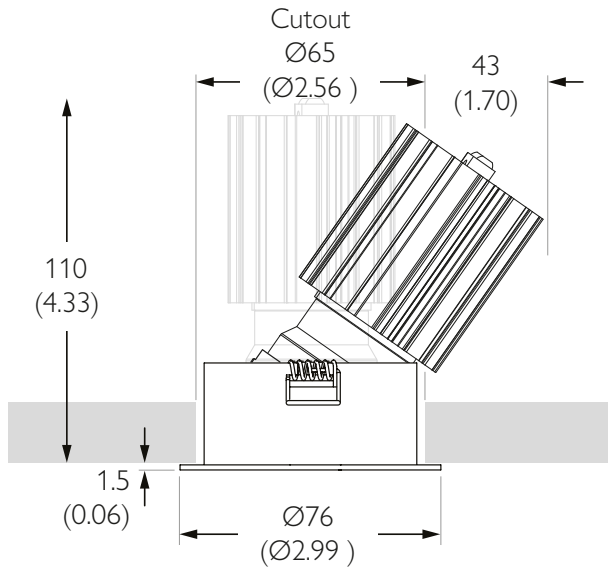
LIFETIME & ENVIRONMENTAL

At Precision, we design and engineer our products with longevity in mind. Many of the components that make up our light fixtures are both modular and re-usable, making it possible to service and repair them throughout their life in service. Once our products reach the end of their useful life, it is possible to re-work and renew them in to a new product. We prioritise the use of recyclable materials in both our products and packaging, and encourage our customers to engage responsibly in the correct disposal of any materials we supply.

CIBSE TM65	13.09 Kg/CO2e	UK PART L	
CIBSE TM66	2.2	Part L1A / L1B (Dwellings)	Compliant 117 lm/W ≥75 Lm/W source lumens Source lm (1474 lm) / Source W (12.60 W)
RoHS Compliance	Yes	Part L2A (General)	≥95Lm/W delivered lumens -
REACH Compliance	Yes	Part L2A (Display)	Compliant 117 lm/W ≥80 Lm/W source lumens Source lm (1474 lm) / Source W (12.60 W)
WEEE Compliance	Yes - Registered Producer		
Declare	LBC Red List Approved		
Lifetime	L90B10 50,000hrs		
Warranty	5 Years		

MINIMO PRO WARM DIM

DIMENSIONS



MECHANICAL

Location	IP20 / IP54 Indoor Dry / Damp Location Only
Mounting	Recessed
Adjustability	360 Pan 35 Tilt
Lockable	N/A
Accessories	Louver Lenses

Cutout	ø65mm (2.56")
Ceiling Thickness	3-25mm (0.12-0.98")
Product Class	SELV Class III
Material	Machined AL 6063-T6
Weight	249g 0.55lb

MINIMO PRO WARM DIM

DIMENSIONS & FINISHES

WARM DIM LIGHT ENGINE

TRIM & APERTURE TYPES



TRIMMED
PINHOLE



TRIMLESS
PINHOLE

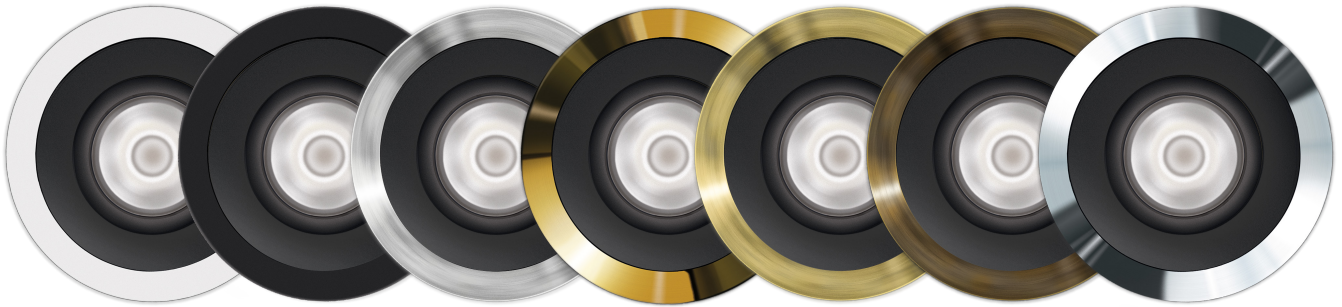


TRIMMED
BEVELED



TRIMLESS
BEVELED

TRIM FINISHES



WHITE

BLACK

BRUSHED
ALUMINUM

POLISHED
BRASS

BRUSHED
BRASS

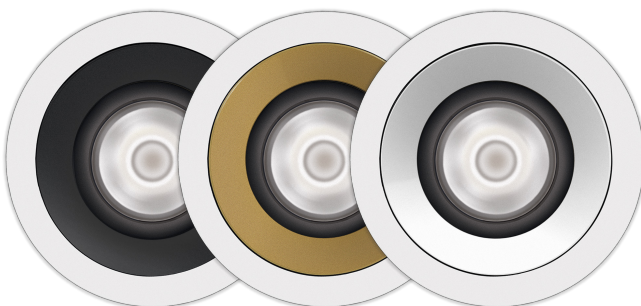
RUBBED
BRONZE

POLISHED
CHROME

APERTURE FINISHES

BEVELED

PINHOLE



BLACK

MATTE GOLD

WHITE



WHITE

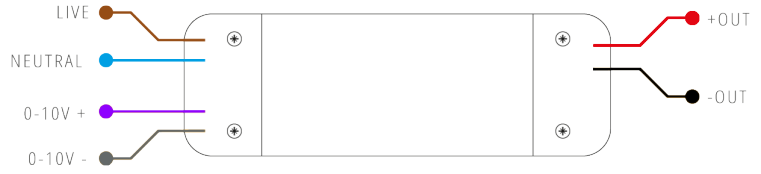


BLACK

MINIMO PRO WARM DIM

20W | 0-10V | Remote | Constant Current

Input Voltage	230VAC 50/60 Hz
Driver Type	Remote Constant Current
Location	IP20 Indoor Location Only
Dimming Control	0-10V
Min. Dim Level	0.1%
Flicker	IEEE P1789 Compatible No Observable Effect
Wiring Distance	16 AWG - 36m (118') 18 AWG 22m (72')



All CCT's			L	W	H
Max. Lights	1 only	mm	160	41	30
Order Code	PSCC-RM-630W01-01A	in	6.3	1.61	1.18

20W | DALI-2 | Remote | Constant Current

Input Voltage	230VAC 50/60 Hz
Driver Type	Remote Constant Current
Location	IP20 Indoor Location Only
Dimming Control	DALI-2
Min. Dim Level	0.1%
Flicker	IEEE P1789 Compatible No Observable Effect
Wiring Distance	16 AWG - 36m (118') 18 AWG 22m (72')



All CCT's			L	W	H
Max. Lights	1 only	mm	160	41	30
Order Code	PSCC-RM-630W01-01D	in	6.3	1.61	1.18

This product specification sheet is for 230V / CE / UKCA regions. For North American projects please refer to our Minimo - North American specification sheets.

MINIMO PRO WARM DIM

PHOTOMETRY

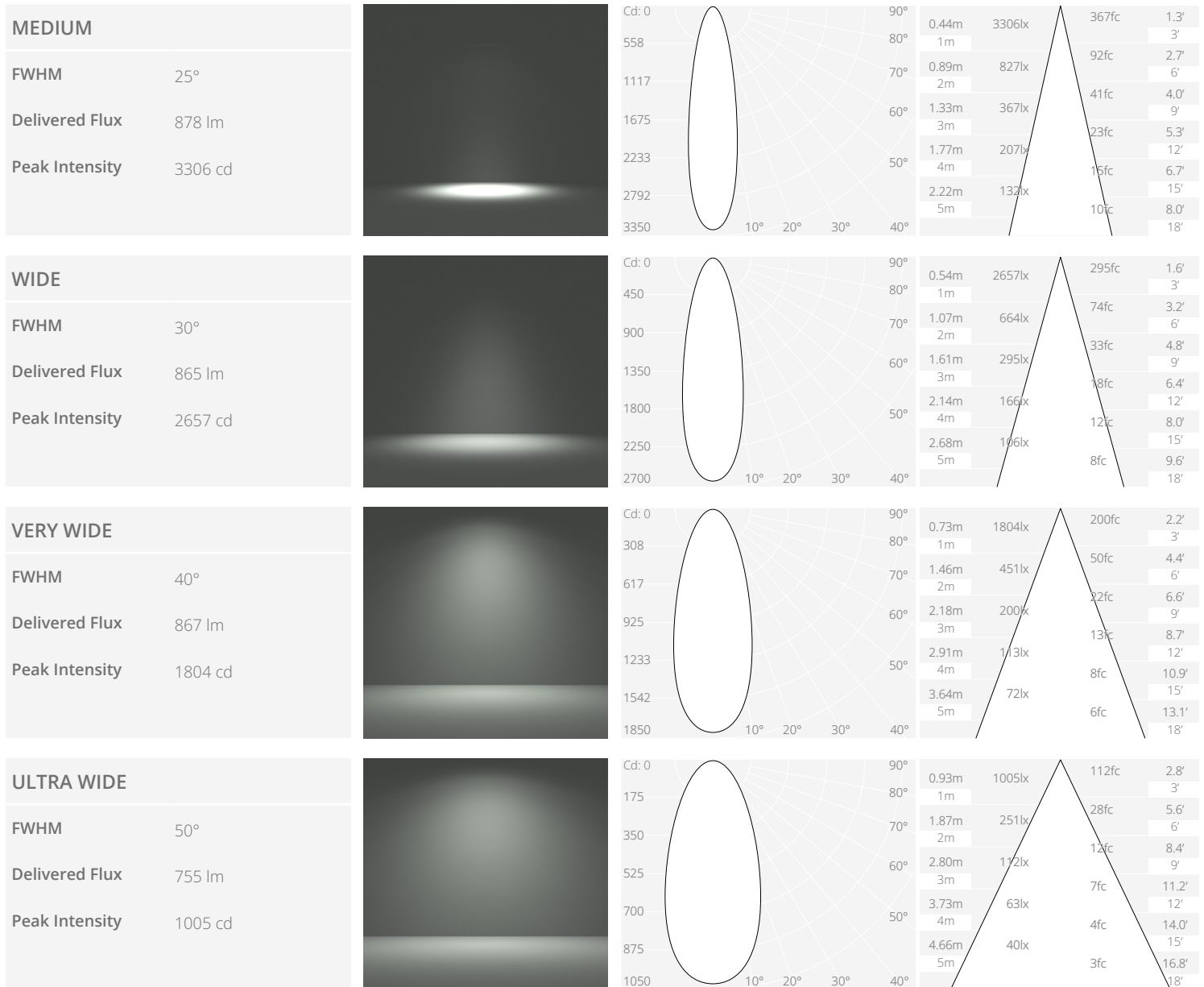
WARM DIM LIGHT ENGINE

OUTPUT SCALING

CCT	Output Multiplier	CRI	R9 Typ.	TM-30: Rf	TM-30: Rg	Max Lm
1800K	0.10	95	69	90	104	88
2100K	0.70	96	82	89	108	615
2400K	0.80	96	85	91	106	702
2700K	0.90	94	85	90	101	790
3000K	1.00	94	85	90	101	878

Colour Consistency: 3 SDCM at max CCT





PHOTOMETRY



MINIMO PRO WARM DIM


OPTICS

There are 4 interchangeable optics

Optic	Optic	Optic	Optic
			
Medium TIR Optic Molded ID 15	Wide TIR Optic Molded ID 24	Very Wide TIR Optic Molded ID 36	Ultra Wide TIR Optic Molded ID 50
Order Code HKRG-35-15-PC	Order Code HKRG-35-24-PC	Order Code HKRG-35-36-PC	Order Code HKRG-35-50-PC

ACCESSORIES

This product can hold 1 x accessory within the integrated holder. To accommodate additional accessories please contact our sales team. Accessories are pre-installed unless otherwise requested.

Glare Control	Colour Change
	
Honeycomb Louver W32xH3.2mm W1.26xH0.13"	1/4 CTO W32xH1.8mm W1.26xH0.07"
Order Code 995-32-BK	Order Code 997-1/4CTO-32

MINIMO PRO WARM DIM

